

AC Motor Brakes

Enclosed Housing

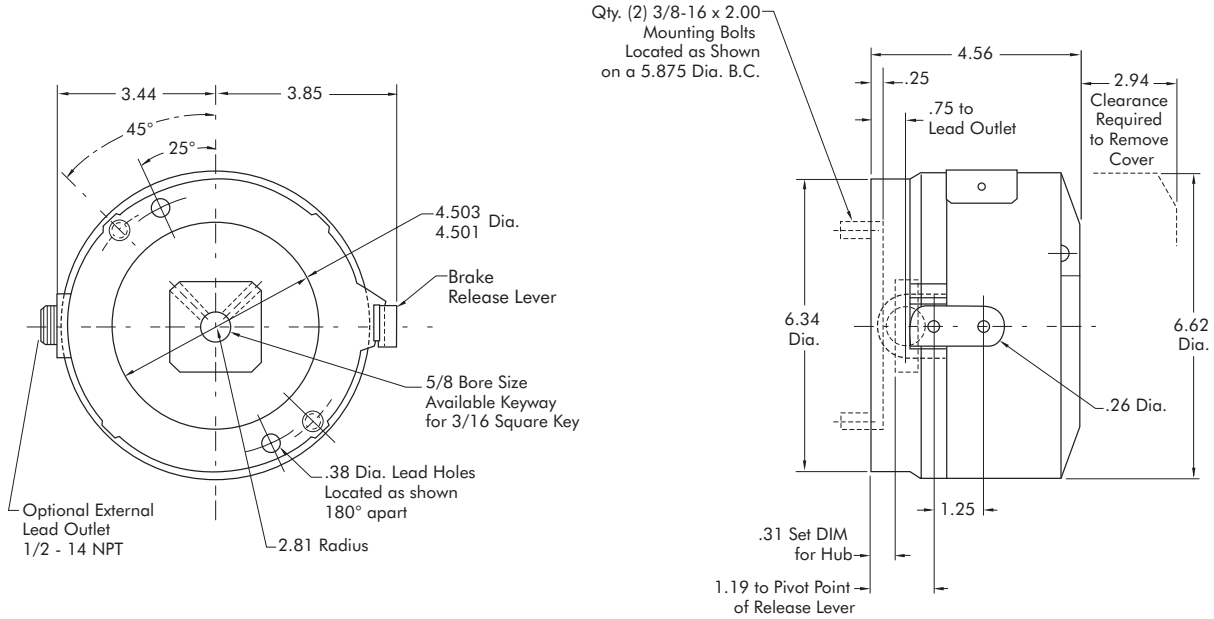
Models

- SSMBP-56AC-3
- SSMBP-56AC-6



- ▶ Factory Assembled and Tested
- ▶ Manual Release
- ▶ AC Power Off
- ▶ Rear Mounted
- ▶ 56C

AC Rear Mounted Brake



Technical Data and Torque (Ft. Lb.)

Model No.	Wt. Lbs.	Static Torque Ft. Lb.	SINGLE PHASE, 60 HZ			THREE PHASE, 60 HZ		
			Voltage	Current Holding Amps	Current Inrush Amps	Voltage	Current Holding Amps	Current Inrush Amps
SSMBP-56AC-3	10	3	115/230	.54/.27	4.8/2.4	230/460	.27/.13	2.6/1.3
SSMBP-56AC-6	10	6						

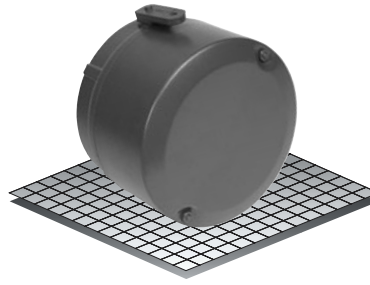
	Model No.	
	SSMBP-56AC-3	SSMBP-56AC-6
115/230 Single Phase, 60HZ	305199-F51A0321	305199-F52A0621
230/460 Three Phase, 60 HZ	305199-F51A0323	305199-F52A0623
Service Parts	All 3 Ft. Lb. Brakes	All 6 Ft. Lb. Brakes
Friction Disc Kit	327201	327202
Single Phase Solenoid	327203	327203
Three Phase Solenoid	327204	327204

Enclosed Housing

AC Motor Brakes

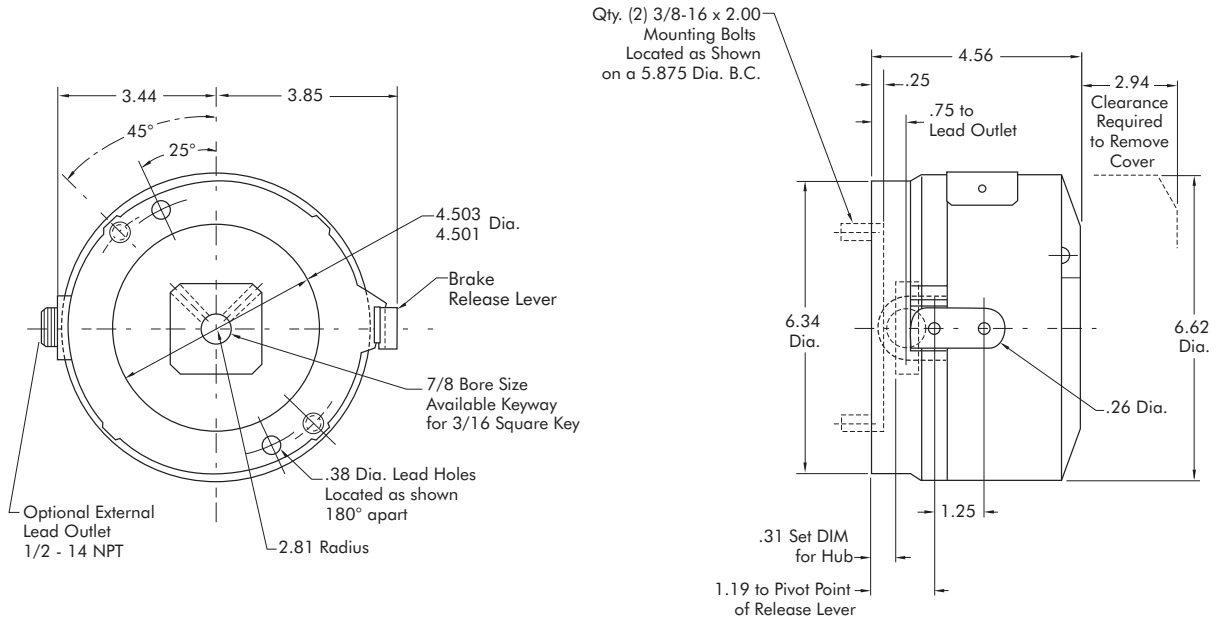
Model

● SSMBP-145AC-10



- ▶ Factory Assembled and Tested
- ▶ Manual Release
- ▶ AC Power Off
- ▶ Rear Mounted
- ▶ 145TC

AC Rear Mounted Brake



Technical Data and Torque (Ft. Lb.)

Model No.	Wt. Lbs.	Static Torque Ft. Lb.	THREE PHASE, 60 HZ		
			Voltage	Current Holding Amps	Current Inrush Amps
SSMBP-145AC-10	10	10	230/460	.27/.13	2.6/1.3

	Model No.
	SSMBP-145AC-10
230/460 Three Phase, 60 HZ	305199-F52C0723
Service Parts	All 10 Ft. Lb. Brakes
Friction Disc Kit	327202
Three Phase Solenoid	327204