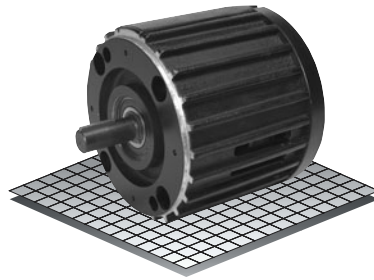


Clutch-Brake Modules

Open Drip Proof

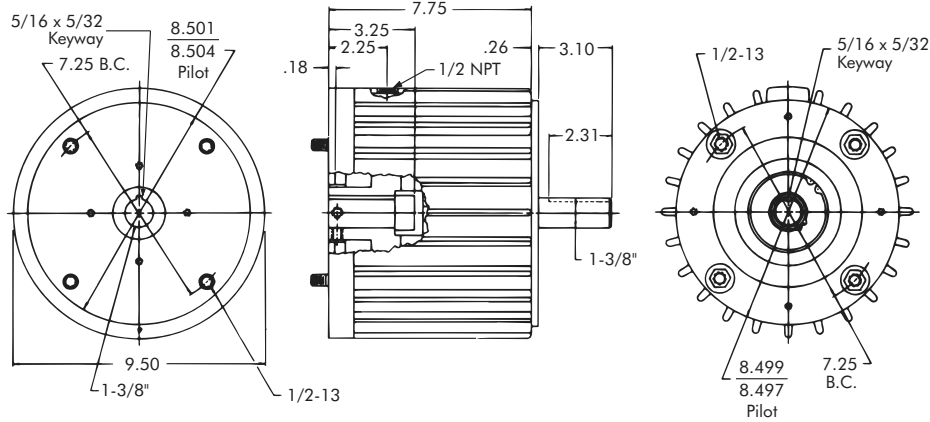
Models

- CBP-215-125
- BP-215-125

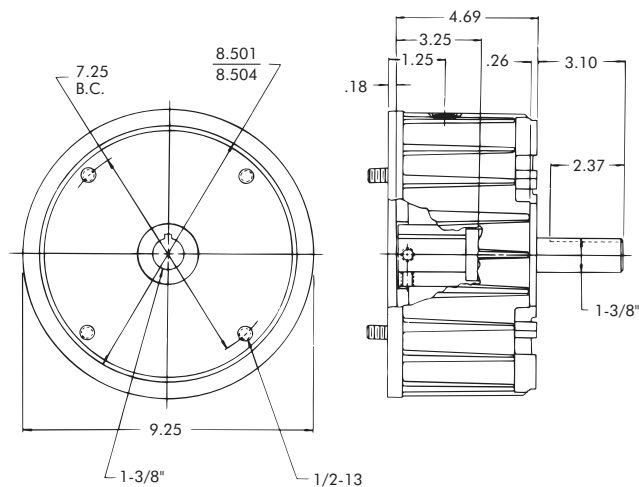


- ▶ Factory Assembled and Tested
- ▶ Spline Drive
- ▶ 213TC/215TC Flange

Clutch-Brake Module



Brake Module



Technical Data and Torque (In. Lb.)

Model No.	Wt. Lbs.	Static Torque in. lb.	Max. Speed RPM	Coil Voltage vdc	* Rated Current amps	RPM									
						0	300	600	900	1200	1500	1800	2400	3000	3600
CBP-215-125	49	1500	3600	90	.46	1500	1320	1140	1020	960	900	804	636	516	420
BP-215-125	31														

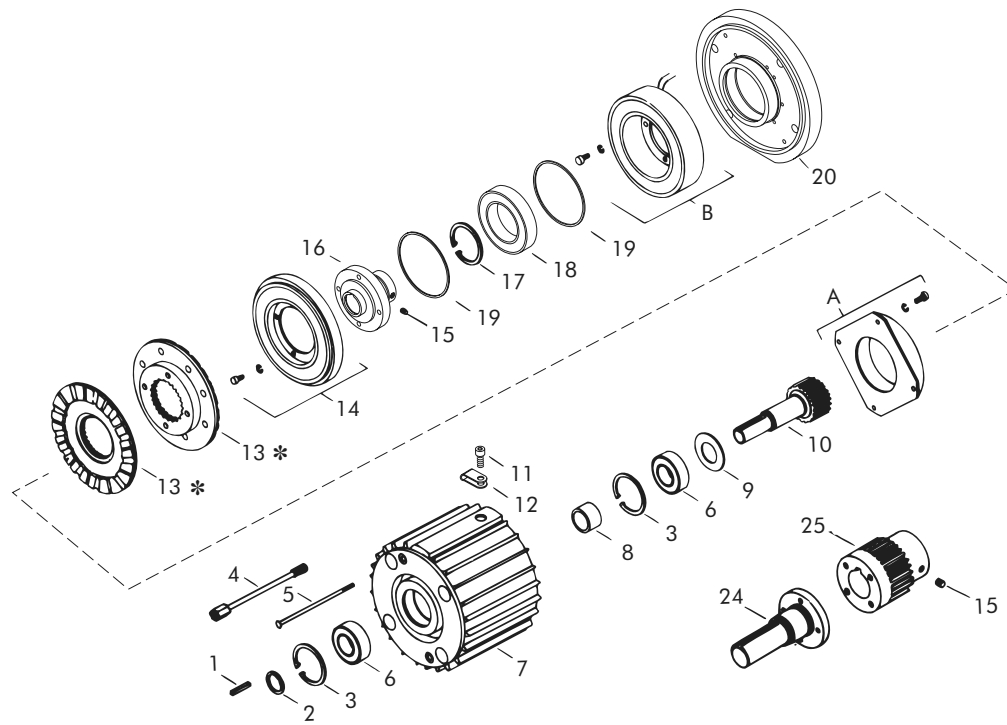
* Rated Current for 90v

Refer to Section M for torque and heat dissipation curves.

	Model No.	
	CBP-215-125	BP-215-125
24 Volts	307194-155	307195-31
90 Volts	307194-156	307195-32

To order use number shown in table above: example – for 90 volt CBP-215-125, order 307194-156.

For controls, see Section K.



Replacement Parts

Item	Qty.	Description	Model No.	
			Clutch-Brake Module	Brake Module
			CBP-215-125	BP-215-125
1	2	Key	326771	326771
2	1	Retaining Ring	RY-20191	RY-20191
3	1	Retaining Ring	RY-20114	DY-11268
4	4	Tie Bolt	650378	650378-1
5	2	Assembly Screw	RY-20193	—
6	2	Bearing	RY-20115	RY-20115
7	1	Housing	650377	650388
8	1	Bearing Spacer	326699	—
9	1	Washer	326769-2	—
10	1	Splined Shaft	650340-21	—
11	1	Cap Screw	DY-10278	—
12	1	Wire Clip	36-42-3	—
13	2	Armature	307382-1	307382-2
14	1	Rotor	307820-11	—
15	2	Setscrew	—	100804
16	1	Rotor Hub	307751-9	—
17	1	Retaining Ring	327064	—
18	1	Bearing	RY-20210	—
19	2	Retaining Ring	DY-15117	—
20	1	End Cap	650380-3	—
21	8	Screw	DY-644	RY-20276
22	12	Washer	DY-4498	101263
23	6	Screw (not shown)	—	101281
24	1	Brake Shaft	—	650341-8
25	1	Brake Hub	—	307454-2
26	1	Retaining Ring (not shown)	—	RY-20336
A	1	Brake Field		
		24 Volts	307353-4	307353-1
		90 Volts	307354-4	307354-1
B	1	Clutch Field		
		24 Volts	307713-5	—
		90 Volts	307714-5	—

⊕ Qty. 1 on Brake or Clutch Module

■ Qty. 8 on Brake Module

● Qty. 2 on Brake Module

* Current design armatures are solid.