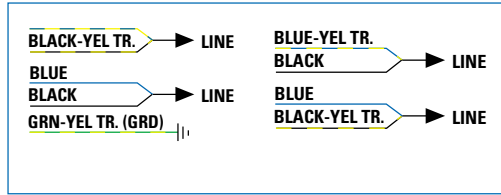


AC Technical Information

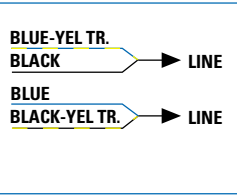
Connection Diagrams

074 10292

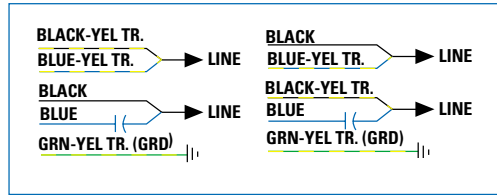


Connect as shown above for clockwise rotation while viewing the output shaft. To reverse direction transpose the black and black-yel. tr. leads.

074 10293

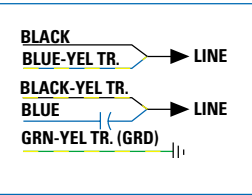


074 10296

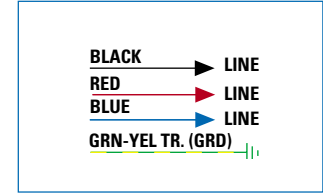


Connect as shown above for clockwise rotation while viewing the output shaft. To reverse direction transpose the black and black-yel. tr. leads.

074 10297

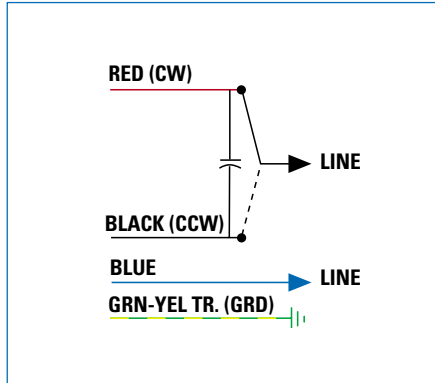


074 10007 or 074 10102



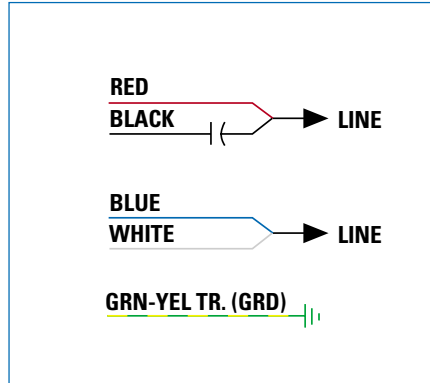
To reverse direction transpose any two leads.

074 10019



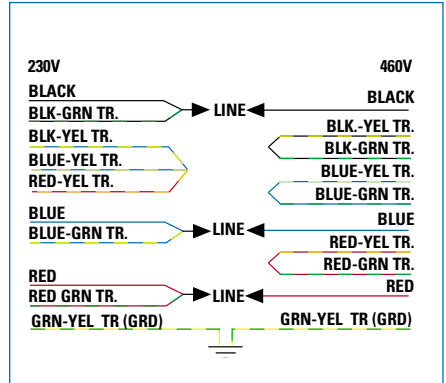
To reverse direction transpose red and black leads.

074 10021



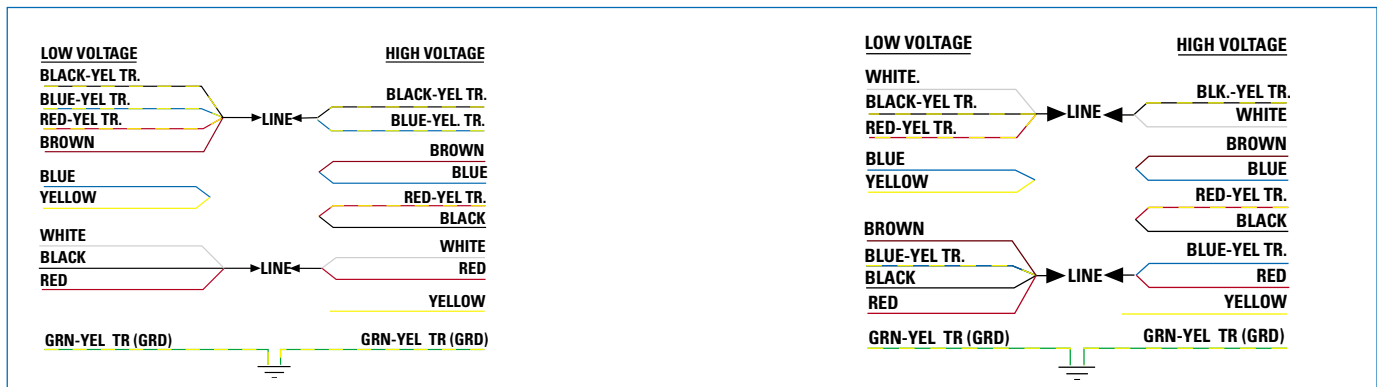
To reverse direction transpose red and blue leads.

074 10012 or 074 10103
(9 leadS, 230/460 V)



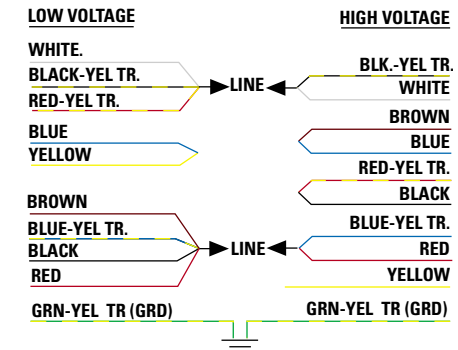
To reverse direction transpose any two leads or combinations.

074 10298 (9 leadS, 115/230 V)

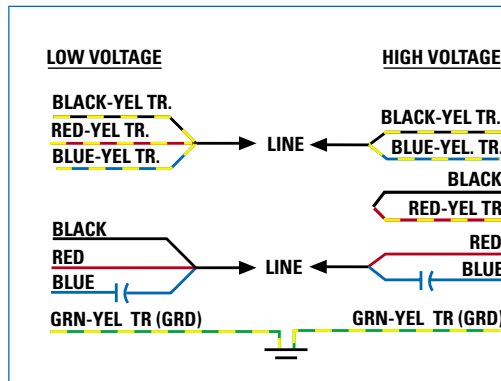


Connect as shown above for clockwise rotation while viewing the output shaft. To reverse direction with 115 V connection, transpose blue -yel. tr. and brown leads with white. To reverse direction with 230 V connection, transpose blue yel. tr with white lead.

074 10299 (9 leadS, 115/230 V)



074 10294



To reverse direction transpose blue and blue-yel. tr. leads.

074 10295

